



BOSA 10Gbps

Features:

- High-stability 1xx0nm DFB laser
- InGaAs PIN Photodiode
- Single +3.3V power Supply

Applications:

- Optical communication systems

Specifications:

Absolute Maximum Ratings

Parameter	Symbol	Min	Max.	Unit
LD Reverse Voltage	$V_{r(LD)}$	--	2	V
LD Forward Current	$I_{f(LD)}$	--	120	mA
PD Forward Current	$I_{f(PD)}$	--	2	mA
PD Reverse Voltage	$V_{r(PD)}$	--	20	V
Operating Temperature	Top	-20	85	°C
Storage Temperature	Tstg	-40	85	°C
Lead Solder Temperature	--	--	260	°C
Lead Soldering Time	--	--	10	s

Transmitter Optical & Electrical Characteristics (T=25°C)

Parameter	Symbol	Test Condition	Min	Typ	Max	Unit
Threshold Current	Ith	25°C	--	--	12	mA
		85°C	--	--	40	mA
Forward Voltage	Vf	Iop=Ith+20mA	--	--	1.7	V
Monitor Current(MPD)	Im	Iop=Ith+20mA	50	--	1000	uA
Dark Current(MPD)	Id	Vr=5V	--	--	100	nA
Optical Output Power	Po	Iop=Ith+20mA,25°C	0.8	--	1.6	mW
		Iop=Ith+20mA,85°C	0.5	--	--	mW
Slope efficiency	SE	Iop=Ith+20mA,25°C	0.04	--	0.08	mW/mA
		Iop=Ith+20mA,85°C	0.025	--	--	mW/mA
Central Wavelength	λ_c	Iop=Ith+20mA	λ_c-10	λ_c	λ_c+10	nm
Spectral Width , -20dB	$\Delta\lambda$	Iop=Ith+20mA	--	--	1	nm
Side-mode suppression Ratio	SMSR	Iop=Ith+20mA	30	--	--	dB
Rise/Fall Time	Tr/Tf	20~80%	--	50	--	ps
Tracking Error	TE	-20°C~85°C	-1.5	--	+1.5	dB

Note: $\lambda_c=1270nm,1330nm$



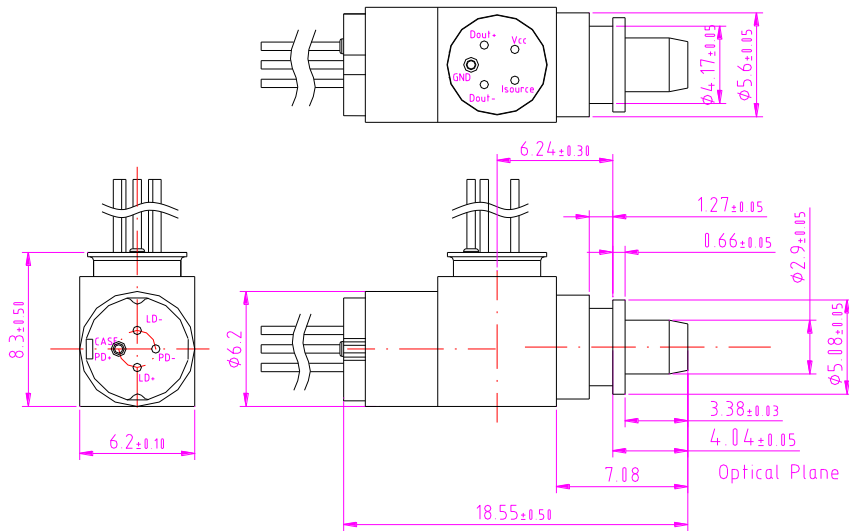
Receiver Optical/Electrical Characteristics

Parameter	Symbol	Test Condition	Min	Typ	Max	Unit
Operating Voltage	Vcc	--	3.0	3.3	3.6	V
Supply current	Icc	Vcc=3.3V	--	--	35	mA
Operating Wavelength	λc	--	$\lambda-10$	λc	$\lambda+10$	nm
RSSI Offset Current	Id	Vcc=3.3V	--	--	100	nA
Sensitivity	Sen	10.3125Gbps,PRBS31,	--	--	-15	dBm
Overload	OL	ER=6dB,BER=1E-12	0	--	--	dBm

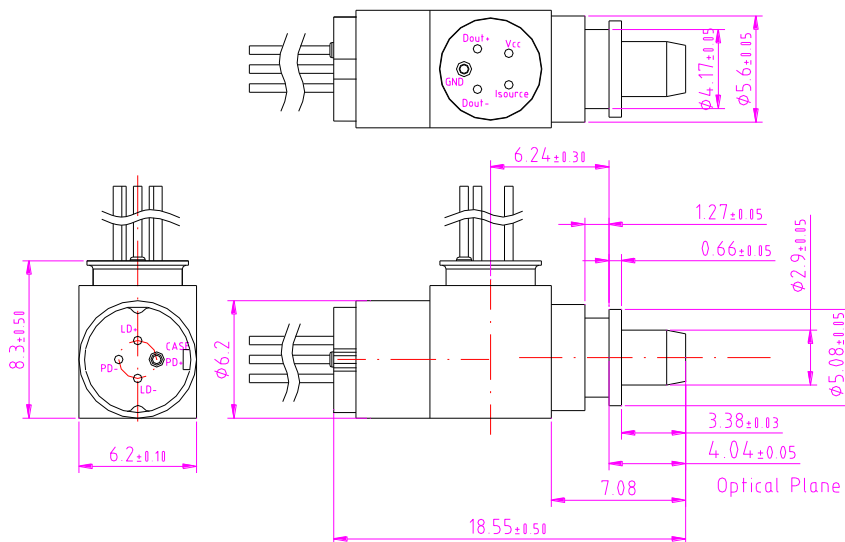
Note: $\lambda c=1270nm,1330nm$

Outline Dimension and PIN Definitions

TYPE-A

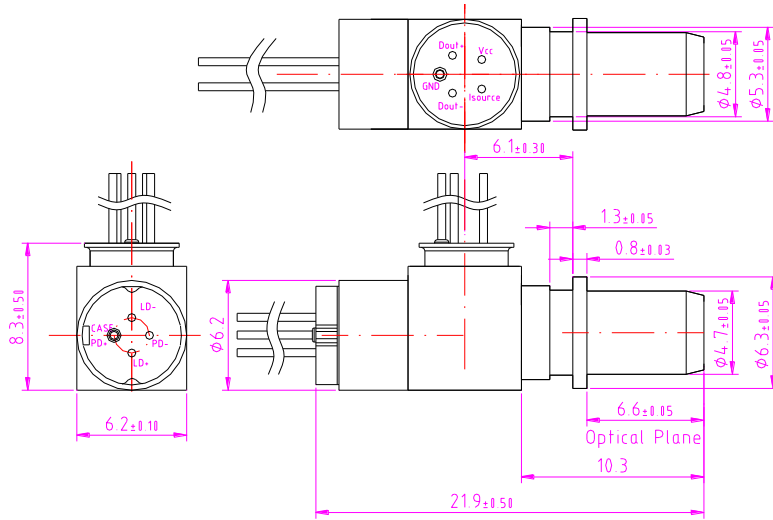


TYPE - B

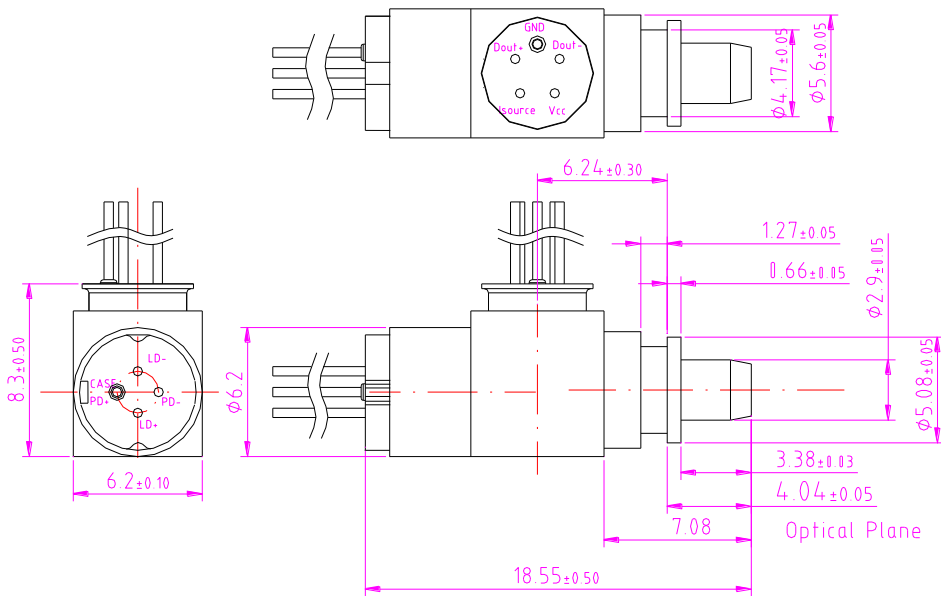




TYPE - C



TYPE - D



Order Information:

BOSA — — 10Gbps — — —

Receptacle
LC
SC

TX Central Wavelength
1270 DFB
1330 DFB

RX Central Wavelength
1270nm
1330nm

Outline Dimension
A:TYPE A
B:TYPE B
C:TYPE C
D:TYPE D



Statement:

SAN-U owns the authority for final explanation of all information contained in this document, which is subject to change without notice. All the information was obtained in particular environments; and SAN-U will not be responsible for the performance of the customers' actual operating environments. All information contained is only for the users' reference and shall not be considered as warranted characteristics. SAN-U will not be liable for damages arising directly or indirectly which from any use of the information contained in this document.

Contact Information:

Address: N501-505 Weiye Bldg., Xiamen Pioneering Park For Overseas Chinese Scholars, Xiamen, Fujian, China

Tel: +86-592-3898601, 3898608, 5318000

Fax: +86-592-5703588

Email: sales@san-u.com

<http://www.san-u.com>
