



# Silicon Carbide Schottky Diode S1S17010RB1

$V_{RRM}$	=	1700 V
$I_F (T_C=135\text{ }^\circ\text{C})$	=	18.5 A
$Q_C$	=	121 nC

## Features

- 1700V Schottky Rectifier
- Zero Reverse Recovery Current
- High-Frequency Operation
- Temperature-Independent Switching Behavior
- Extremely Fast Switching

## Benefits

- Replace Bipolar with Unipolar Rectifiers
- Essentially No Switching Losses
- Higher Efficiency
- Reduction of Heat Sink Requirements
- Parallel Devices Without Thermal Runaway

## Applications

- Switch Mode Power Supplies (SMPS)
- Power Factor Correction
- Motor Drives

## Package



Part Number	Package
S1S17010RB1	TO247-2L

料号: 3960260000  
 品名: SiC SBD塑封器件 1700V 10A-T0247-2L(S1S17010RB1)  
 版本: 01  
 编辑: 温小花 2025.01.02  
 审核: 王松 2025.01.02



### Maximum Rated Values ( $T_C=25^\circ\text{C}$ unless otherwise specified)

Symbol	Parameter	Value	Unit	Test Conditions	Note
$V_{RRM}$	Repetitive Peak Reverse Voltage	1700	V		
$V_R$	DC Peak Reverse Voltage	1700	V		
$I_F$	Continuous Forward Current	41	A	$T_C=25^\circ\text{C}$	Fig. 3
		18.5		$T_C=135^\circ\text{C}$	
		14		$T_C=150^\circ\text{C}$	
$I_{FRM}$	Repetitive Peak Forward Surge Current	50	A	$T_C=25^\circ\text{C}$ , $t_p=10$ ms, Half Sine Pulse	
		45		$T_C=110^\circ\text{C}$ , $t_p=10$ ms, Half Sine Pulse	
$I_{FSM}$	Non-Repetitive Forward Surge Current	59	A	$T_C=25^\circ\text{C}$ , $t_p=10$ ms, Half Sine Pulse	
		51		$T_C=110^\circ\text{C}$ , $t_p=10$ ms, Half Sine Pulse	
$I_{F,MAX}$	Non-Repetitive Forward Surge Current	270	A	$T_C=25^\circ\text{C}$ , $t_p=10\mu\text{s}$ , Square Wave Pulse	
		237		$T_C=110^\circ\text{C}$ , $t_p=10\mu\text{s}$ , Square Wave Pulse	
$P_{tot}$	Power Dissipation	231	W	$T_C=25^\circ\text{C}$	Fig. 4
		100		$T_C=110^\circ\text{C}$	
$T_J$	Operating Temperature	-55 to +175	$^\circ\text{C}$		
$T_{stg}$	Storage Temperature	-55 to +175	$^\circ\text{C}$		
	TO-247 Mounting Torque	1 8.8	Nm lbf-in	M3 Screw 6-32 Screw	

### Electrical Characteristics ( $T_J=25^\circ\text{C}$ )

Symbol	Parameter	Value			Unit	Test Conditions	Note
		Min.	Typ.	Max.			
$V_F$	Forward Voltage		1.4	1.7	V	$I_F=10\text{A}$ , $T_J=25^\circ\text{C}$	Fig. 1
			1.9	2.8		$I_F=10\text{A}$ , $T_J=175^\circ\text{C}$	
$I_R$	Reverse Current		3.7	18	$\mu\text{A}$	$V_R=1700\text{V}$ , $T_J=25^\circ\text{C}$	Fig. 2
			39	90		$V_R=1700\text{V}$ , $T_J=175^\circ\text{C}$	
$Q_C$	Total Capacitive Charge		121		nC	$V_R=1700\text{V}$ , $T_J=25^\circ\text{C}$	Fig. 5
C	Total Capacitance		1096		pF	$V_R=0\text{V}$ , $T_J=25^\circ\text{C}$ , $f=1\text{MHz}$	Fig. 6
			54			$V_R=800\text{V}$ , $T_J=25^\circ\text{C}$ , $f=1\text{MHz}$	
			53			$V_R=1700\text{V}$ , $T_J=25^\circ\text{C}$ , $f=1\text{MHz}$	
$E_C$	Capacitance Stored Energy		62		$\mu\text{J}$	$V_R=1700\text{V}$	Fig. 7

### Thermal Characteristics

Symbol	Parameter	Value	Unit	Note
$R_{\theta JC}$	Thermal Resistance(Junction to Case)	0.65	$^\circ\text{C/W}$	Fig. 8



### Typical Performance

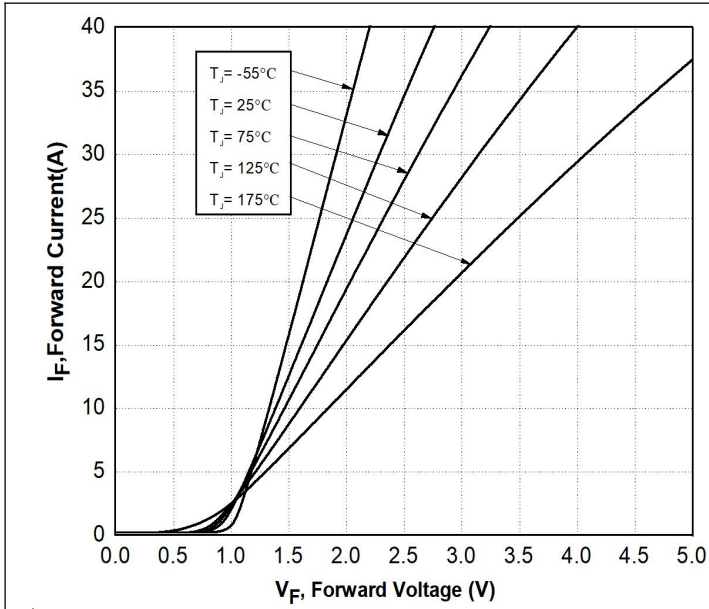


Figure 1. Forward Characteristics

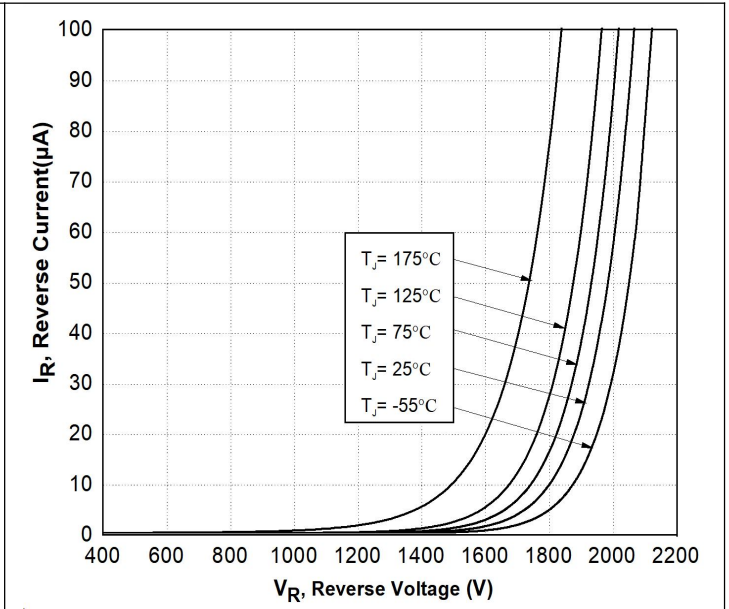


Figure 2. Reverse Characteristics

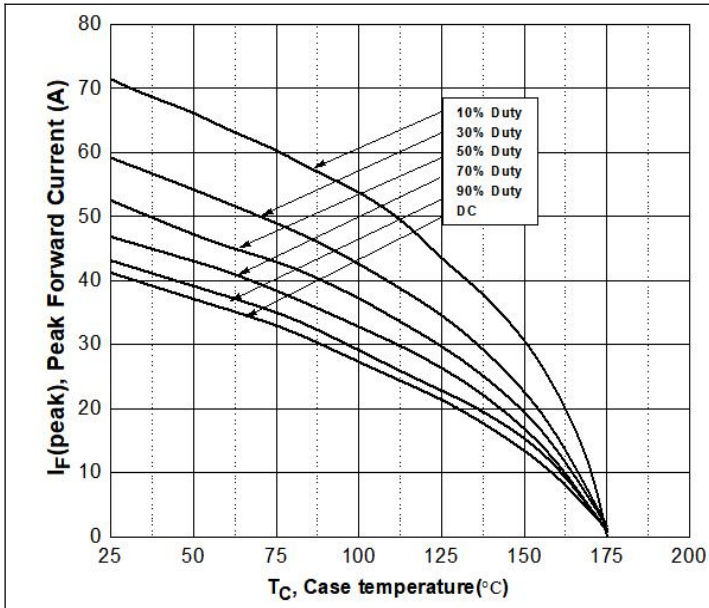


Figure 3. Current Derating

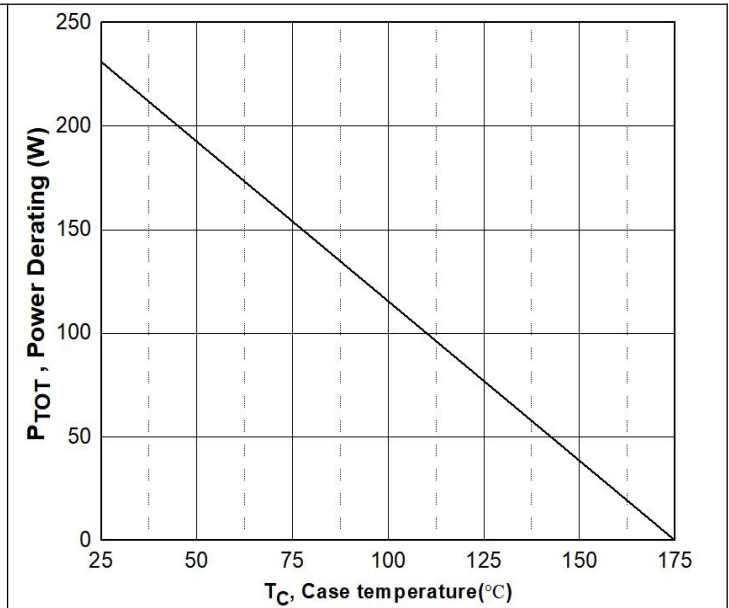


Figure 4. Power Derating



## Typical Performance

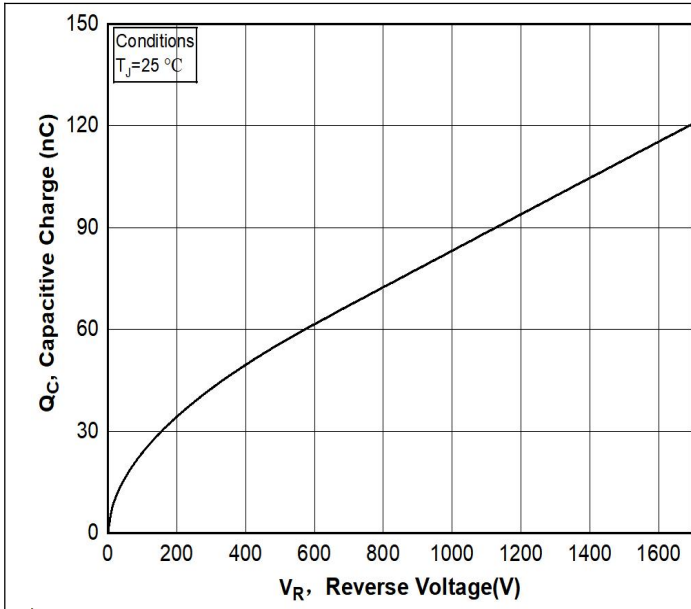


Figure 5. Capacitance Charge Vs. Reverse Voltage

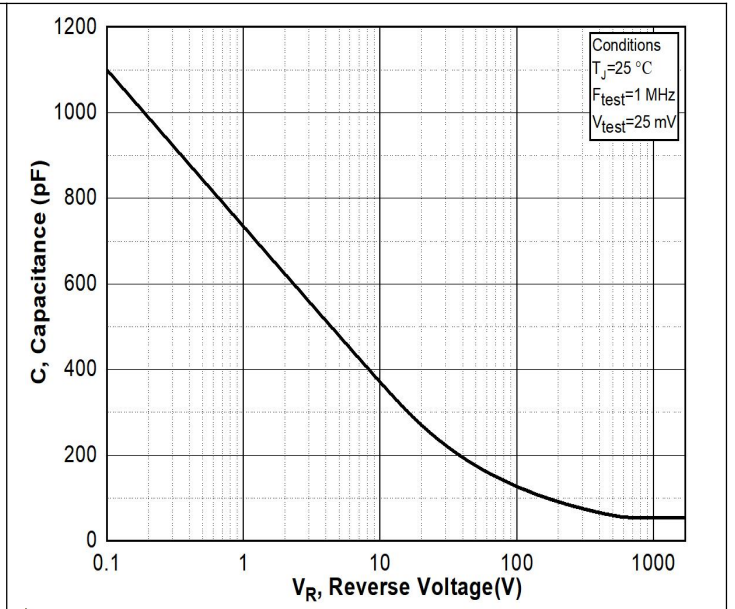


Figure 6. Capacitance Vs. Reverse Voltage

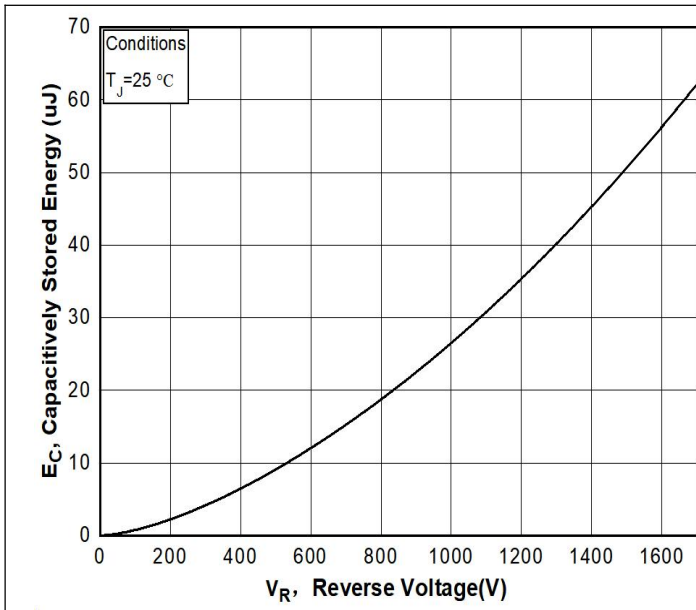


Figure 7. Capacitance Stored Energy

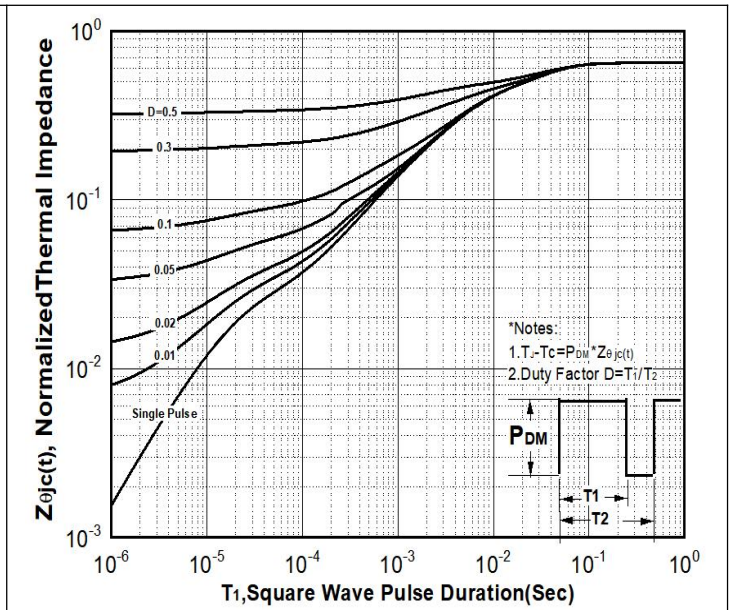
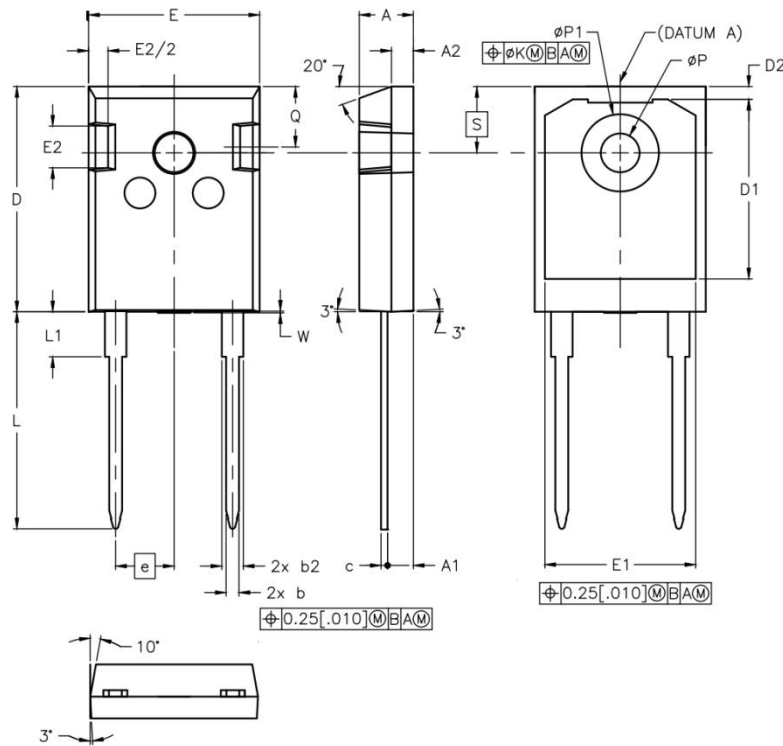


Figure 8. Transient Thermal Response Curve (Junction-to-Case)



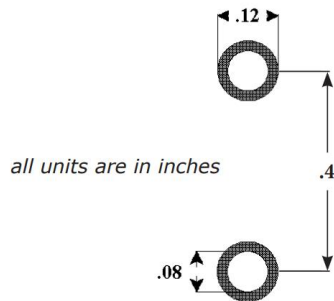
### Package Dimensions

#### Package TO-247-2L



POS	Inches		Millimeters	
	Min	Max	Min	Max
A	.190	.205	4.70	5.31
A1	.087	.102	2.21	2.59
A2	.059	.098	1.50	2.49
b	.039	.055	0.99	1.40
b2	.065	.094	1.65	2.39
c	.015	.035	0.38	0.89
D	.819	.845	20.80	21.46
D1	.515	-	13.08	-
D2	.020	.053	0.51	1.35
E	.620	.640	15.49	16.26
E1	.530	-	13.46	-
E2	.135	.157	3.43	3.99
e	.214		5.44	
ØK	.010		0.25	
L	.780	.800	19.81	20.32
L1	-	.177	-	4.50
ØP	.140	.144	3.56	3.66
ØP1	.278	.291	7.06	7.39
Q	.212	.244	5.38	6.20
S	.243		6.17	
W	-	.006	-	0.15

#### Recommended Solder Pad Layout



#### TO247-2L

Part Number	Package
S1S17010RB1	TO247-2L



## Statement:

SAN-U owns the authority for final explanation of all information contained in this document, which is subject to change without notice. All the information was obtained in particular environments; and SAN-U will not be responsible for the performance of the customers' actual operating environments. All information contained is only for the users' reference and shall not be considered as warranted characteristics. SAN-U will not be liable for damages arising directly or indirectly which from any use of the information contained in this document.

---

## Contact Information:

Address: N501-505 Weiye Bldg., Xiamen Pioneering Park For Overseas Chinese Scholars, Xiamen, Fujian, China

Tel: +86-592-3898601, 3898608, 5318000

Fax: +86-592-5703588

Email: sales@san-u.com

<http://www.san-u.com>